



Sovitron Interior Pvt.Ltd.



Model Name

SILAS-K2200L Wall Light/ DL-OUC-K2200L-30W

Description

Wall light (Indirect)

Technical description

Image

Dimension

L=320mm
W=278mm
H=45mm

Frame

Aluminium Die-cast

Color Tempertaure

5700K

Power

30W

Total Luminous Flux

2550 lm

Efficacy

85 lm/W

IP rating

65

Beam angle

170°

Color Rendering

≥80

Mounting

Surface

Optics

Clear tempered glass

Dimming

NON-Dimmable

Operating Voltage

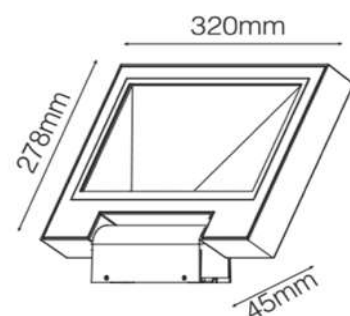
220-240 VAC

Standard Lifetime

L70 minimum at 50,000
burning hours



Dimension diagram



Remarks:-

Address: Plot #7 Saroorpur-Nangla Industrial Area,Ballabgarh-Sohna Road,Faridabad-121005

Email: info@sovitron.com